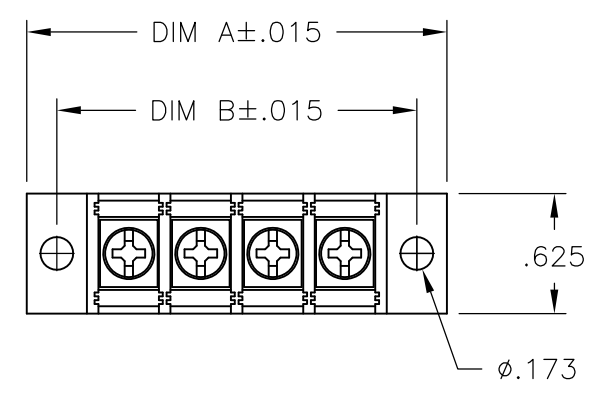


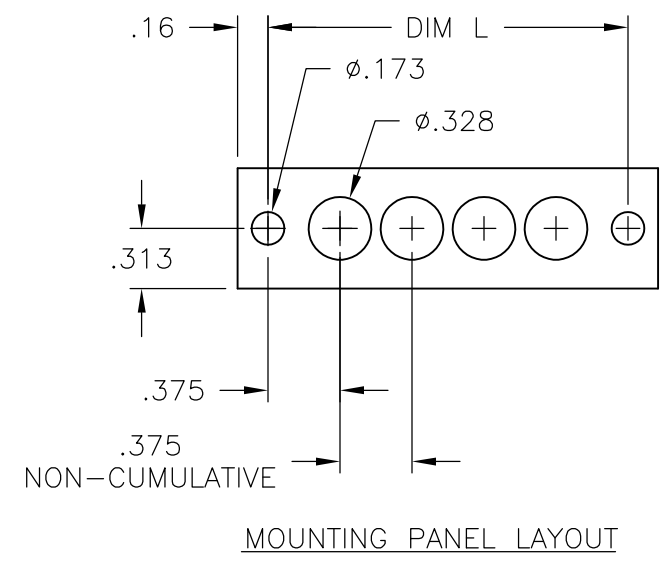
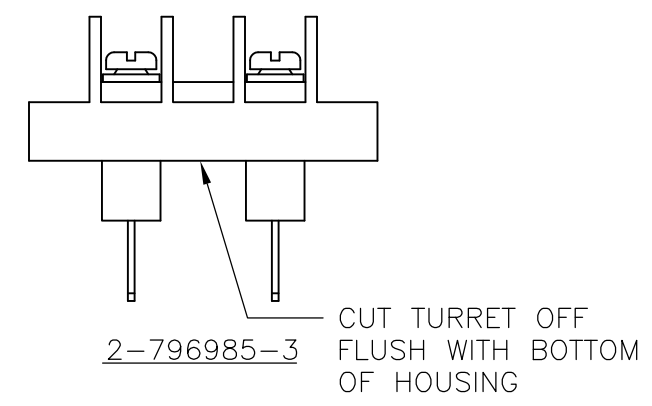
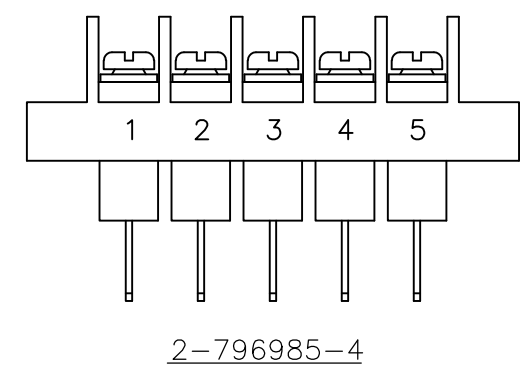
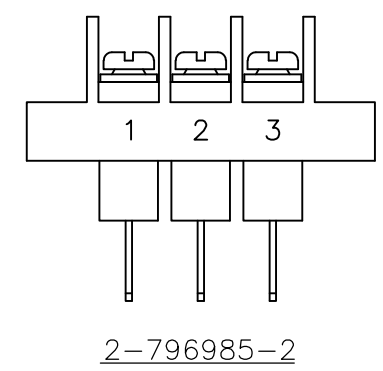
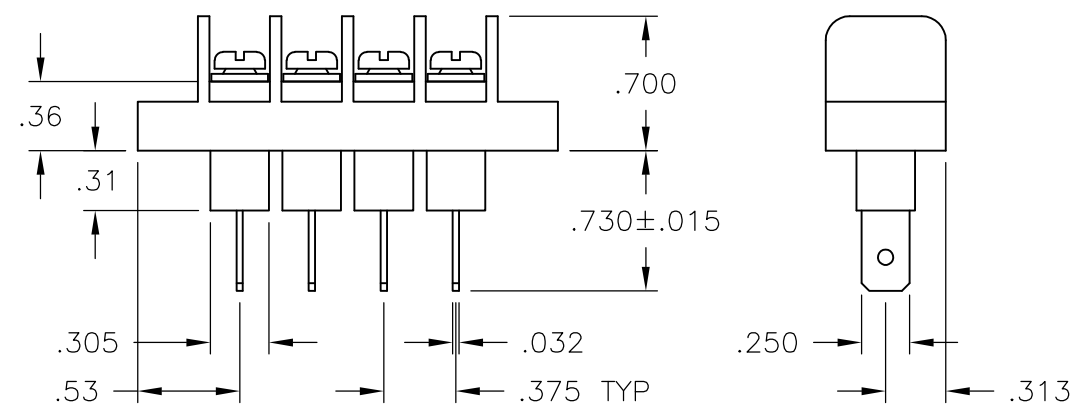
THIS DRAWING IS UNPUBLISHED. RELEASED FOR PUBLICATION
 © COPYRIGHT - By - ALL RIGHTS RESERVED.

LOC	DIST	REVISIONS					
FT	0	P	LTR	DESCRIPTION	DATE	DWN	APVD
			B6	REVISED PER ECO-11-004820	11MAR11	RK	HMR



PHYSICAL PROPERTIES:
 HOUSING: THERMOPLASTIC, UL94V-0, BLACK.
 TERMINALS: MATERIAL: COPPER ALLOY, PLATING SEE TABLE.
 SCREWS: #6-32 STEEL, ZINC PLATING W/ CLEAR CHROMATE.
 PITCH (TERMINAL SPACING): .375"
 OPERATING TEMP: 105° C MAX

ELECTRICAL PROPERTIES:
 RATED CURRENT: 20A
 OPERATING VOLTAGE: 300V
 WIRE RANGE: 12-22 AWG



THIS DRAWING IS A CONTROLLED DOCUMENT.		DWN	S SCHLEGEL	5/27/03	STE TE Connectivity		
DIMENSIONS: INCHES		CHK	S YODER	5/27/03			
TOLERANCES UNLESS OTHERWISE SPECIFIED:		APVD	S YODER	5/27/03	JC6-Q308-XX ASSEMBLY		
0 PLC ± -		PRODUCT SPEC		SIZE			
1 PLC ± -		APPLICATION SPEC		CAGE CODE		DRAWING NO	
2 PLC ± .02		WEIGHT		A3 00779		G-6-1437665-2	
3 PLC ± .010		CUSTOMER DRAWING		SCALE		SHEET	
4 PLC ± -		MATERIAL		NTS		1 OF 2	
ANGLES ± -		FINISH		REV		B6	
-		-					

THIS DRAWING IS UNPUBLISHED. RELEASED FOR PUBLICATION
 © COPYRIGHT - By - ALL RIGHTS RESERVED.

LOC	DIST	REVISIONS				
P	LTR	DESCRIPTION	DATE	DWN	APVD	
		SEE SHEET 1	-	-	-	

- 1 PRELIMINARY
- 2 MATTE TIN PLATE .0002 - .0006 MIN OVER .00005 MIN NICKEL.
- 3 OBSOLETE PARTS: OBSOLETE CIS STREAMLINING PER D.RENAUD/D.SINISI

PLATING	DIM. B	DIM. A	NO. OF POS.	CATALOG NUMBER	PART NO.
BRIGHT TIN PL	9.000	9.314	23	JC6-Q308-23	2-1546700-2
BRIGHT TIN PL	8.625	8.939	22	JC6-Q308-22	2-1546700-1
BRIGHT TIN PL	8.250	8.564	21	JC6-Q308-21	2-1546700-0
BRIGHT TIN PL	7.875	8.189	20	JC6-Q308-20	1-1546700-9
BRIGHT TIN PL	7.500	7.814	19	JC6-Q308-19	1-1546700-8
BRIGHT TIN PL	7.125	7.439	18	JC6-Q308-18	1-1546700-7
BRIGHT TIN PL	6.750	7.064	17	JC6-Q308-17	1-1546700-6
BRIGHT TIN PL	6.375	6.689	16	JC6-Q308-16	1-1546700-5
BRIGHT TIN PL	6.000	6.314	15	JC6-Q308-15	1-1546700-4
BRIGHT TIN PL	5.625	5.939	14	JC6-Q308-14	1-1546700-3
BRIGHT TIN PL	5.250	5.564	13	JC6-Q308-13	1-1546700-2
BRIGHT TIN PL	4.875	5.189	12	JC6-Q308-12	796985-9
BRIGHT TIN PL	4.500	4.814	11	JC6-Q308-11	1-1546700-1
BRIGHT TIN PL	4.125	4.439	10	JC6-Q308-10	796985-6
BRIGHT TIN PL	3.750	4.064	9	JC6-Q308-09	1-1546700-0
BRIGHT TIN PL	3.375	3.689	8	JC6-Q308-08	6-1437665-9
BRIGHT TIN PL	3.000	3.314	7	JC6-Q308-07	6-1437665-8
BRIGHT TIN PL	2.625	2.939	6	JC6-Q308-06	6-1437665-7
BRIGHT TIN PL	2.250	2.564	5	JC6-Q308-05-175	2-796985-4
BRIGHT TIN PL	2.250	2.564	5	JC6-Q308-05	6-1437665-6
BRIGHT TIN PL	1.875	2.189	4	JC6-Q308-04	6-1546700-5
BRIGHT TIN PL	1.875	2.189	4	JC6-Q308-04	6-1437665-5
BRIGHT TIN PL	1.500	1.814	3	JC6-Q308-03-174	2-796985-3
BRIGHT TIN PL	1.500	1.814	3	JC6-Q308-03-173	2-796985-2
BRIGHT TIN PL	1.500	1.814	3	JC6-Q308-03	6-1437665-4
BRIGHT TIN PL	1.125	1.439	2	JC6-Q308-02	6-1437665-2

3 OBSOLETE
 SEE FIGURE (PAGE 1)

2
 SEE FIGURE (PAGE 1)

3 OBSOLETE
 SEE FIGURE (PAGE 1)

THIS DRAWING IS A CONTROLLED DOCUMENT.		DWN S SCHLEGEL 5/27/03	STE TE Connectivity	
DIMENSIONS: INCHES		CHK S YODER 5/27/03		
TOLERANCES UNLESS OTHERWISE SPECIFIED:		APVD S YODER 5/27/03	NAME	
0 PLC ± -		PRODUCT SPEC	JC6-Q308-XX ASSEMBLY	
1 PLC ± -		APPLICATION SPEC	SIZE	RESTRICTED TO
2 PLC ± .02		WEIGHT -	A3	-
3 PLC ± .010		CUSTOMER DRAWING	CAGE CODE 00779	SCALE NTS
4 PLC ± -			DRAWING NO C-6-1437665-2	SHEET 2 OF 2
ANGLES ± -				REV B6
FINISH -				